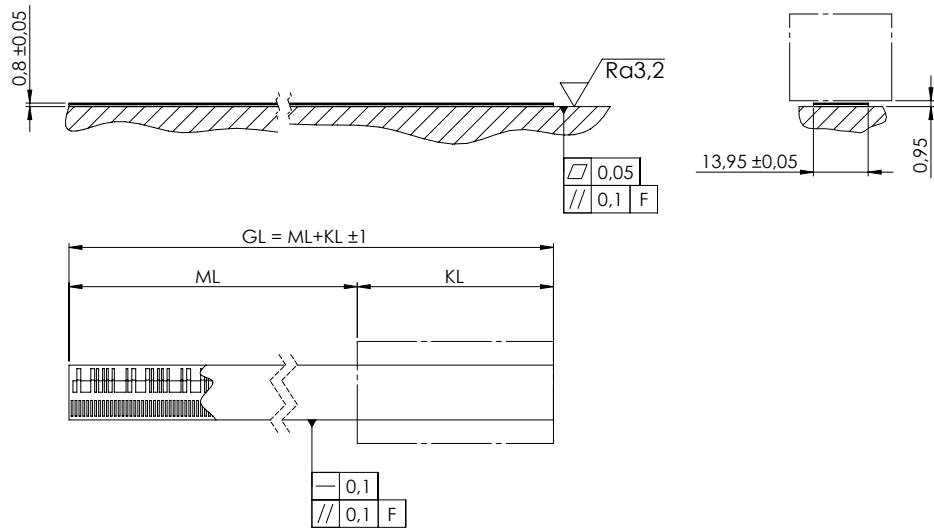


Scale tape to stick LMBA 2010

- Scale tape to stick, for modular linear encoders
- Grating period 1000µm
- In combination with scanning head LMKA 2010



- F = Machine guidance
 GL = Total length
 ML = Measuring length :
 BF 20 : ML = GL - 50 mm
 KL = Scanning head length :
 BF 20 : 50 mm

Tolerance principle in accordance with SO8015
 General tolerances in accordance with ISO 2768-fH
 All dimensions in mm

Technical data

Absolute scale tape	LMBA 2010		
Grating period	1000µm		
Accuracy class	± 20µm/m	± 20µm/m	± 50µm/m
Accuracy after linear compensation	± 3µm/m	± 5µm/m	± 10µm/m
Total length GL	Standard length see ordering code		
Mechanical design	Stainless steel scale tape with adhesive layer for mounting		
Coefficient of expansion	~ 11 ppm/K		
Mass	60 g/m Total length		

Ordering code

- LMBA - Scale tape to stick for modular linear encoders
- Grating period 1000µm

